

INSTRUCTIONS

K149/150

Install the tester into the unit's DIP socket. Ignore any errors from MicroPro in the following steps. Set MicroPro to program PIC16F873, PIC16F876, or PIC16F877.

VPP1, VCC, DAT and CLK LEDs will wink momentarily. No LED can be on all the time.

Set MicroPro to PIC16F84. This time VPP2, VCC, DAT, and CLK Leds must wink. No LED can be on constantly. If this test and the previous one as well passes, the unit is OK.

This covers any attached ICSP socket as well.

K128

Install the tester into the unit's DIP socket. Ignore any errors from MicroPro in the following steps. Set MicroPro to program PIC16F873, PIC16F876, or PIC16F877.

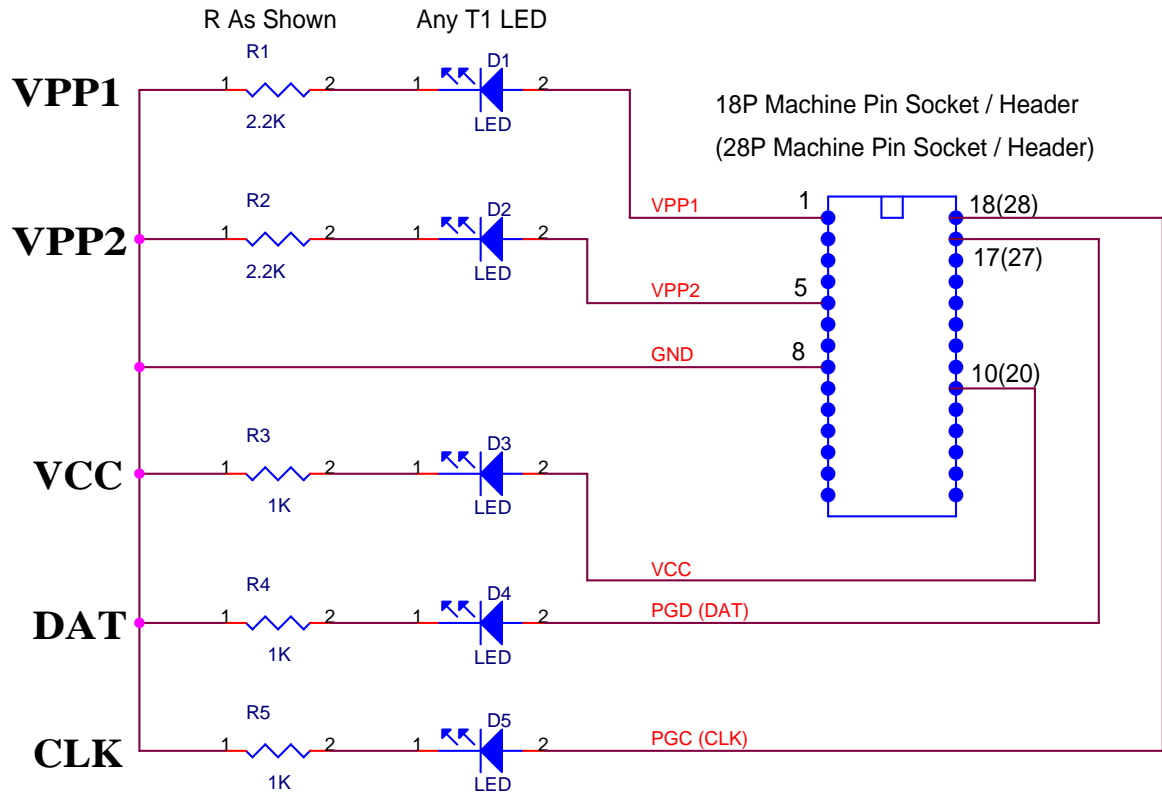
VPP1, VCC, DAT and CLK LEDs will wink momentarily. No LED can be on all the time. If this passes, the K128 is good.

This covers any attached ICSP socket as well.

SYMPTOMS DIAGNOSIS

IF DAT, CLK, or VCC LEDS FAIL TO FLASH, OR ARE ON ALL THE TIME, the PIC programmer device (PIC16F628 / 648) is defective.

IF a VPPx LED FAILS TO FLASH, OR IS ON ALL THE TIME, Either the VPPx drive transistor, the PIC programmer device (PIC16F628/648, or (K128 Only) a component in the charge pump circuit is defective.



This tester, costing less than \$5USD, can test any socketed DIY PIC Programmer.

SOCKETED PROGRAMMERS

DIY Electronics

Title			
PIC PROGRAMMER HARDWARE TESTER			
Size A	Document Number	Eng Only	Rev 1
Date:	Tuesday, February 15, 2005	Sheet 1 of 2	

INSTRUCTIONS

K182

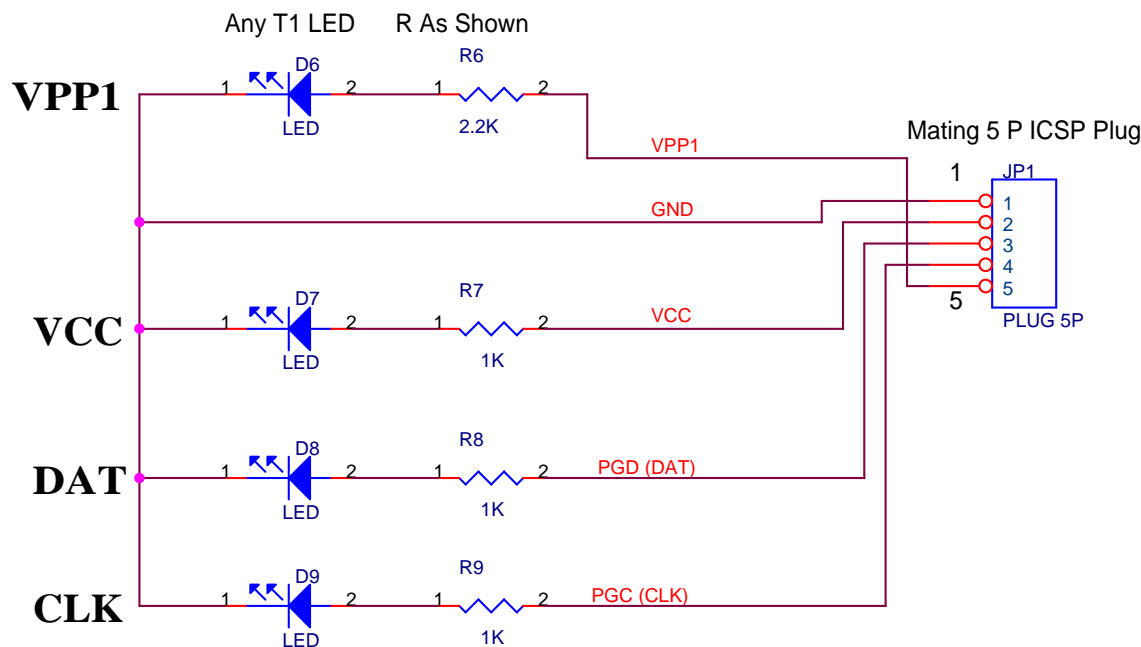
Install the tester into the unit's ICSP Socket. Ignore any errors from MicroPro in the following steps. Set MicroPro to program PIC16F873, PIC16F876, or PIC16F877.

VPP1, VCC, DAT and CLK LEDs will wink momentarily. No LED can be on all the time. If this passes, the K182 is good.

SYMPTOMS DIAGNOSIS

IF DAT, CLK, or VCC LEDS FAIL TO FLASH, OR ARE ON ALL THE TIME, the PIC programmer device (PIC16F628 / 648) is defective.

IF VPP1 LED FAILS TO FLASH, OR IS ON ALL THE TIME, Either the VPP1 drive transistor, the PIC programmer device (PIC16F628/648), or a component in the charge pump circuit is defective.



This tester, costing less than \$3USD, can test the DIY K182 PIC Programmer.

SOCKETED
PROGRAMMERS

DIY Electronics

Title			
PIC PROGRAMMER HARDWARE TESTER			
Size	Document Number	Eng Only	Rev
A			0
Date:	Tuesday, February 15, 2005	Sheet	2 of 2
	2		1