

SPECIFICATION

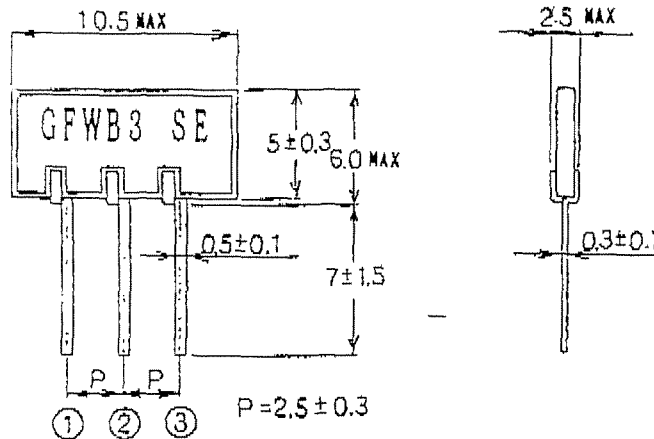
No. EGF-3002-B

1. Printed Filter : GFWB3-T
※

※ • GFWB3 : Bulk Type
• GFWB3-T : Taping Type

2. Appearance and Construction

2. 1 Bulk type dimension (Unit: mm)
(Taping type dimension in accordance with EGF-0602)



Terminal	
①	Input
②	GND
③	Output

2. 2 Construction

Body ——— Alumina ceramic substrate
Lead ——— Soldered iron wire

2. 3 Marking

Marked type and trademark with white or yellow

3. Electrical Characteristics

- 3. 1 $Z_{in} \cdot Z_{out}$: 75 Ω Nominal
- 3. 2 Pass Band : 76 ~ 108 MHz
- 3. 3 Insertion loss : 3 dB MAX (76 ~ 108 MHz)
- 3. 4 Attenuation : 20 dB MIN (0 ~ 25 MHz)
- : 20 dB MIN (170 ~ 250 MHz)

4. Note

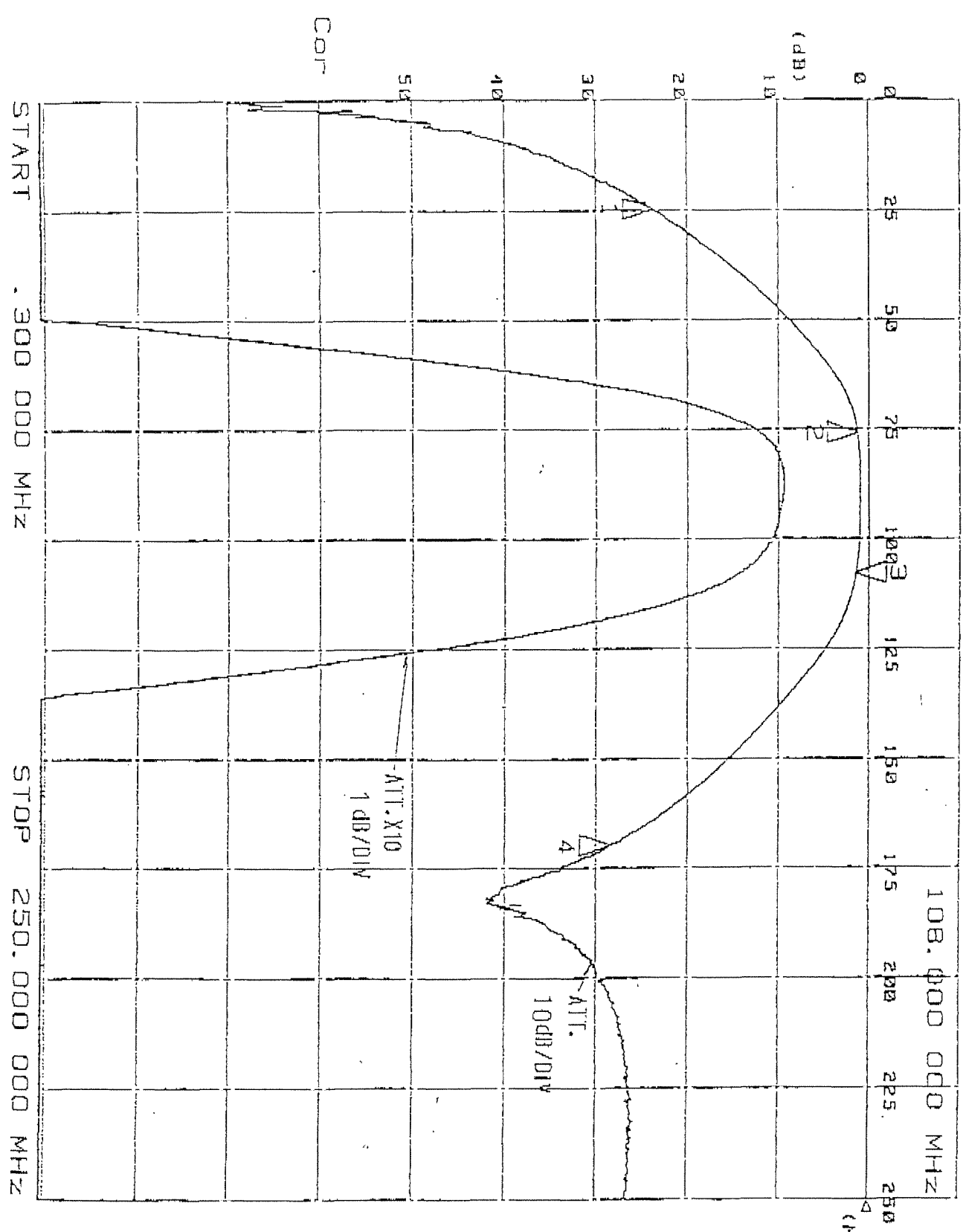
- 4. 1 Mechanical and environmental characteristics in accordance with EGF-0601
- 4. 2 Taping in accordance with EGF-0602
- 4. 3 In mounting, 5 mm min. space between the filter and metal case or metal plate is required.
- 4. 4 Bulk type : GFWB3, Taping type : GFWB3-T
- 4. 5 Packing unit
4,000 pcs / Box.
Order unit shall be 4,000 pcs.

Typical Data

CH2 S21 10g MAG 10 dB/ REF 0 dB 3. -1. 4248 dB

TYPE
GFWB3

- MARK
- 1 : 25 MHz
 - 2 : 76 MHz
 - 3 : 108 MHz
 - 4 : 170 MHz



Instrument
HP8753B
NETWORK
ANALYZER

Date
1990.11.28
BV